

- Esthetic steel appearance
- Automatic closure system at a 70 mm opening length
- Drawer Length: 400/450/500/550 mm
- Finish: Electrostatic (White, Cream, Metallic and Gray)
- Silent running wheel system
- The improved stability guarantees a long product durability
- Dynamic load capacity: 25 Kg
- Safety system to avoid derailing
- Vertical and horizontal adjustment opportunity
- ±1,5 mm horizontal and ±1 mm vertical adjustment opportunity.

1-2 Drawer Set

NOMINAL SIZE	CODE	MODEL	COLOR	PACKAGING
300 mm	1121321	Without Claw	White	5 Set/Crt.
300 mm	1120321	With Claw	White	5 Set/Crt.
300 mm	1121322	Without Claw	Biege	5 Set/Crt.
300 mm	1120322	With Claw	Biege	5 Set/Crt.
300 mm	1121323	Without Claw	M. Gray	5 Set/Crt.
300 mm	1120323	With Claw	M. Gray	5 Set/Crt.
350 mm	1121331	Without Claw	White	5 Set/Crt.
350 mm	1120331	With Claw	White	5 Set/Crt.
350 mm	1121332	Without Claw	Biege	5 Set/Crt.
350 mm	1120332	With Claw	Biege	5 Set/Crt.
350 mm	1121333	Without Claw	M. Gray	5 Set/Crt.
350 mm	1120333	With Claw	M. Gray	5 Set/Crt.
400 mm	1121341	Without Claw	White	5 Set/Crt.
400 mm	1120341	With Claw	White	5 Set/Crt.
400 mm	1121342	Without Claw	Biege	5 Set/Crt.
400 mm	1120342	With Claw	Biege	5 Set/Crt.
400 mm	1121343	Without Claw	M. Gray	5 Set/Crt.
400 mm	1120343	With Claw	M. Gray	5 Set/Crt.

1-2 Drawer Set

NOMINAL SIZE	CODE	MODEL	COLOR	PACKAGING
450 mm	1121351	Without Claw	White	5 Set/Crt.
450 mm	1120351	With Claw	White	5 Set/Crt.
450 mm	1121352	Without Claw	Biege	5 Set/Crt.
450 mm	1120352	With Claw	Biege	5 Set/Crt.
450 mm	1121353	Without Claw	M. Gray	5 Set/Crt.
450 mm	1120353	With Claw	M. Gray	5 Set/Crt.
500 mm	1121361	Without Claw	White	5 Set/Crt.
500 mm	1120361	With Claw	White	5 Set/Crt.
500 mm	1121362	Without Claw	Biege	5 Set/Crt.
500 mm	1120362	With Claw	Biege	5 Set/Crt.
500 mm	1121363	Without Claw	M. Gray	5 Set/Crt.
500 mm	1120363	With Claw	M. Gray	5 Set/Crt.
550 mm	1121371	Without Claw	White	5 Set/Crt.
550 mm	1120371	With Claw	White	5 Set/Crt.
550 mm	1121372	Without Claw	Biege	5 Set/Crt.
550 mm	1120372	With Claw	Biege	5 Set/Crt.
550 mm	1121373	Without Claw	M. Gray	5 Set/Crt.
550 mm	1120373	With Claw	M. Gray	5 Set/Crt.

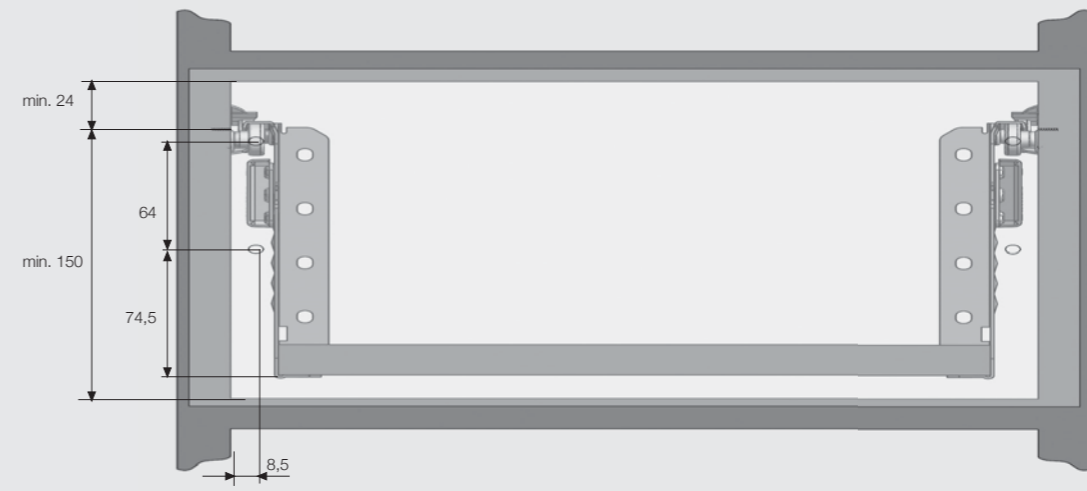
3 Decorative Cover

MATERIAL	CODE	COLOR	PACKAGING
Plastic	1121821	White	200 Pcs/Box
Plastic	1121822	Biege	200 Pcs/Box
Plastic	1121823	M. Gray	200 Pcs/Box

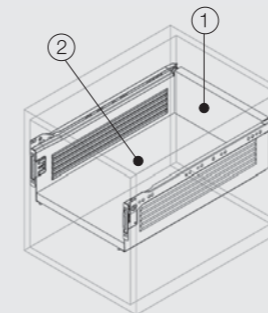
4 Connection Fitting

MATERIAL	CODE	MODEL	COLOR	PACKAGING
Steel	1121819	Countersunk	Nickel	200 Pcs/Box
Steel	1121812	Ø8 mm	Nickel	200 Pcs/Box
Steel	1121813	Ø10 mm	Nickel	200 Pcs/Box

Slide Mounting Dimensions

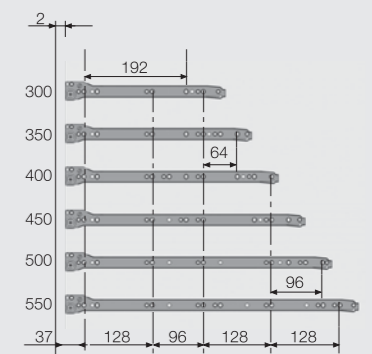


Formulas to Compute Dimensions

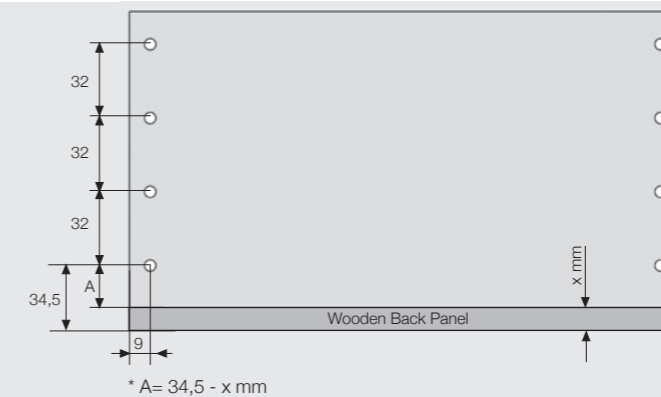


- ① Drawer Back Panel Width = Internal Cabinet Width - 31mm
Drawer Back Panel Height = Minimum 135 mm
(For 16 mm wooden bottom panel.)
- ② Drawer Wooden Floor Width = Internal Cabinet Width - 31 mm
Drawer Wooden Floor Length = Side Length - 1 mm

Slide Screw Location



Wooden Back Panel Application



Recommended Screws

Ø3,5x16 mm Chipboard Screw



Ø6,1x11,5 mm Euro Screw



*All dimensions in the graphs above are measured in mm.