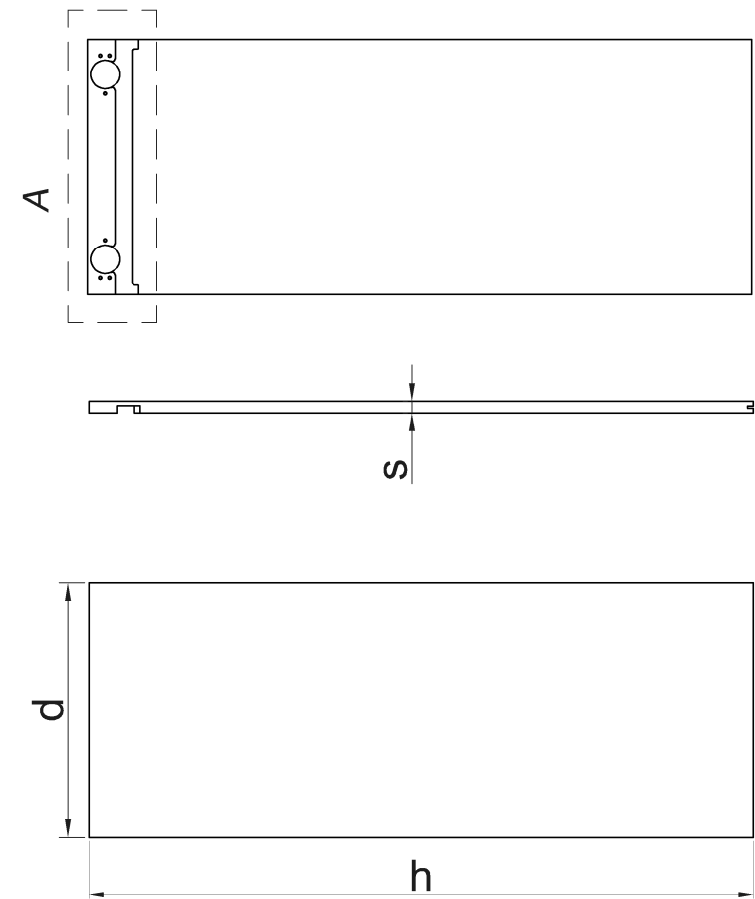
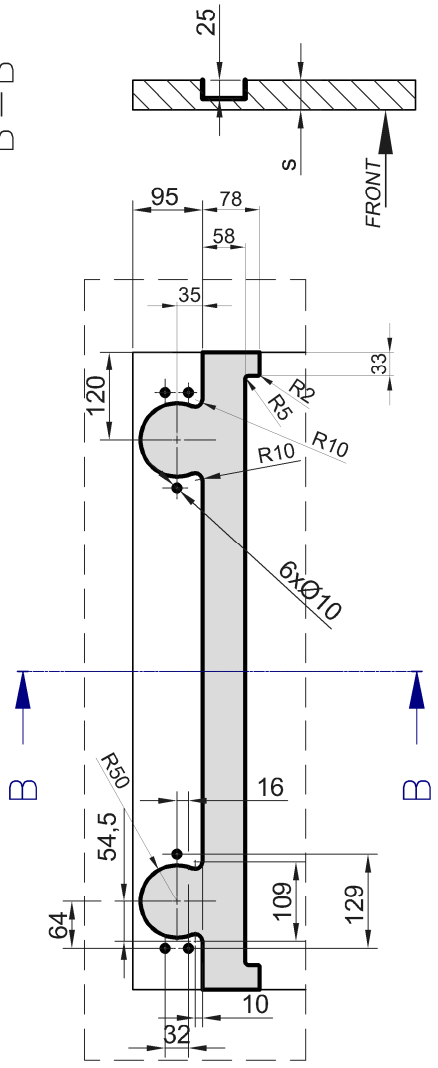


A 1:10

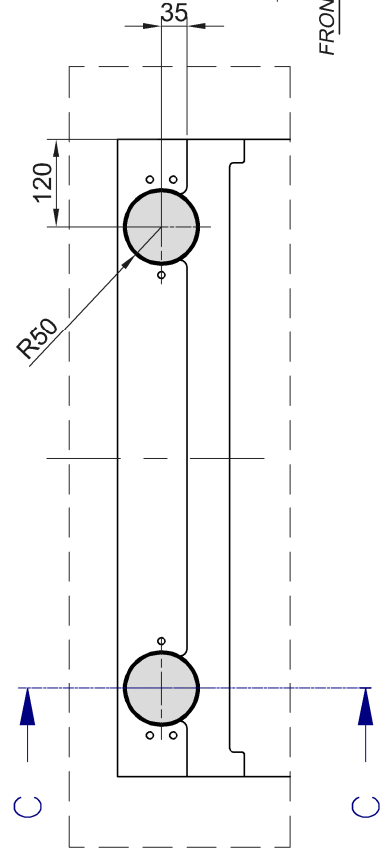


B-B



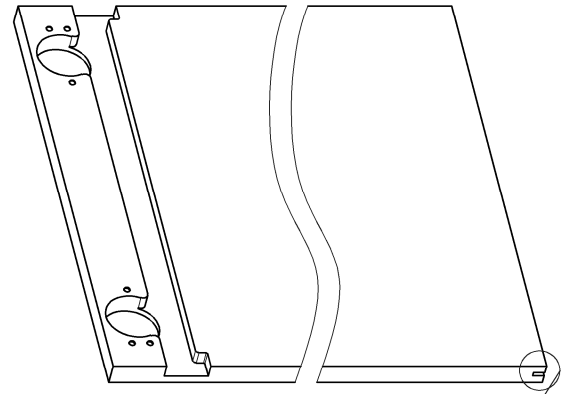
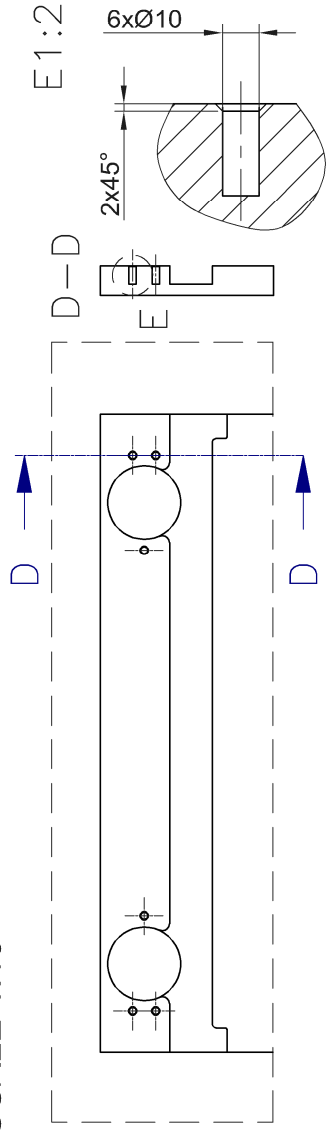
SCALE 1:10

C-C



SCALE 1:10

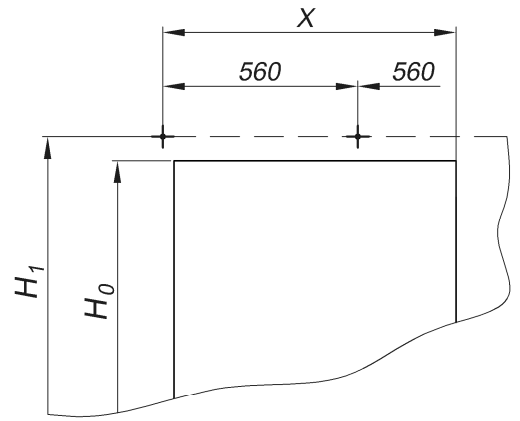
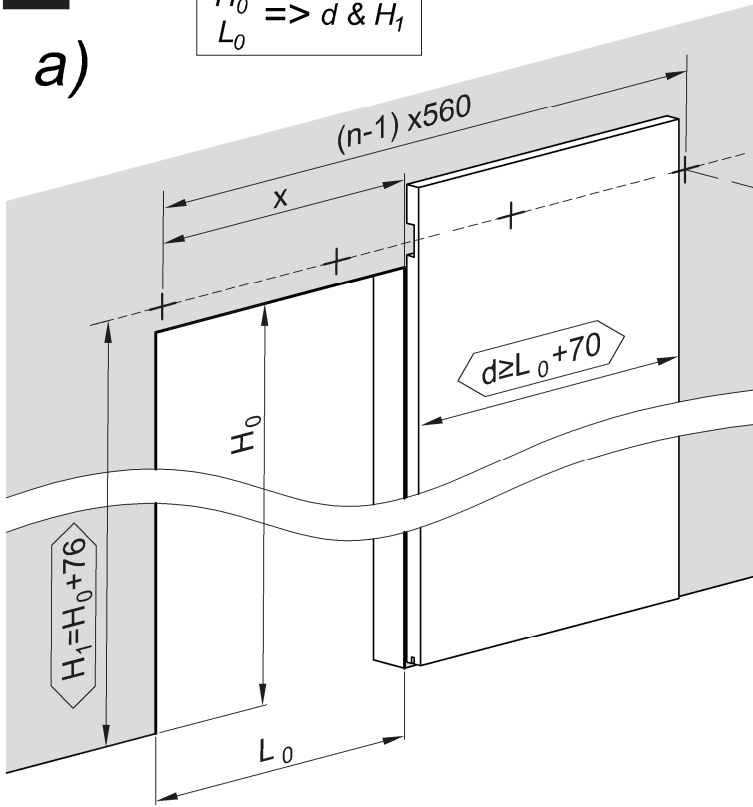
E1:2



1

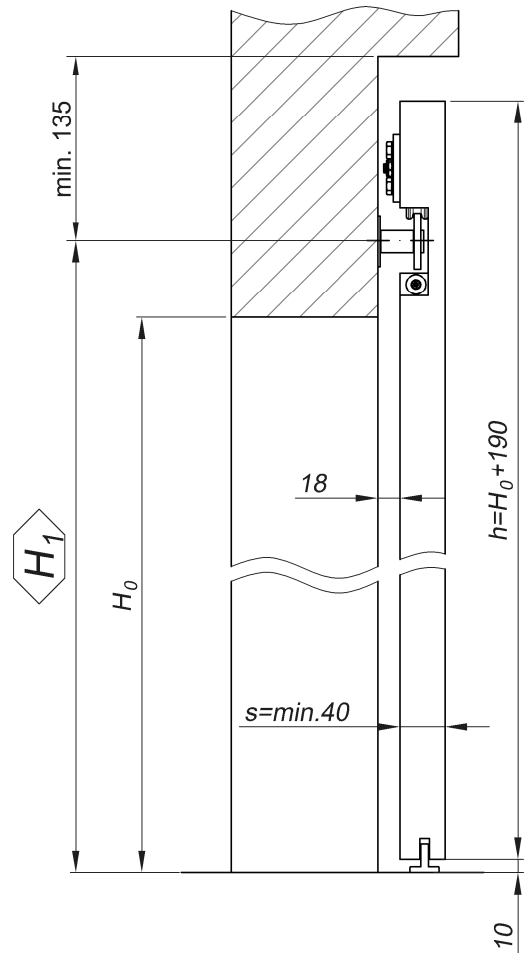
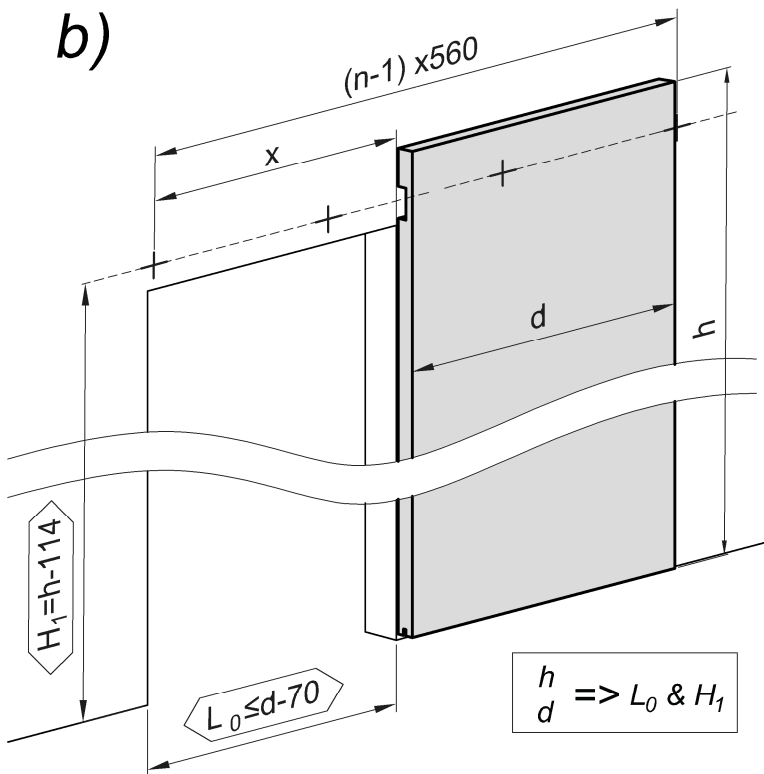
$$\begin{matrix} H_0 \\ L_0 \end{matrix} \Rightarrow d \ \& \ H_1$$

a)

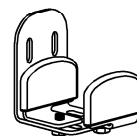


L_{Track} [mm]	1950	2400	3000
X [mm]	815	1095	1375
n [szt]	4	5	6
d_{max} [mm]	950	1170	1470

b)



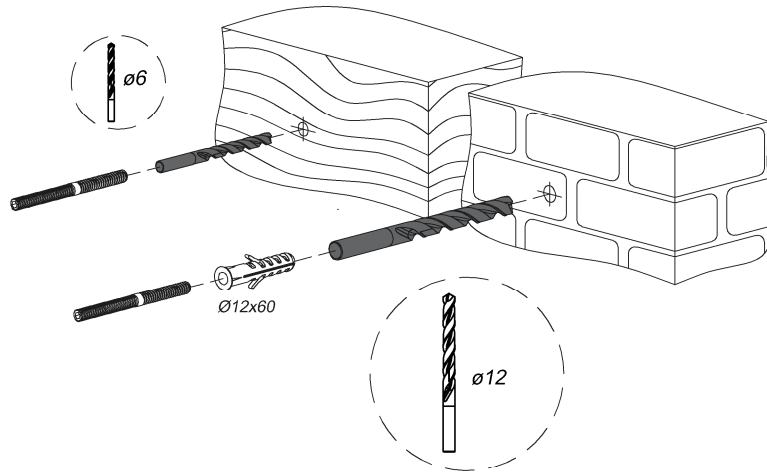
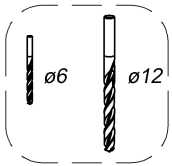
216-110
216-111



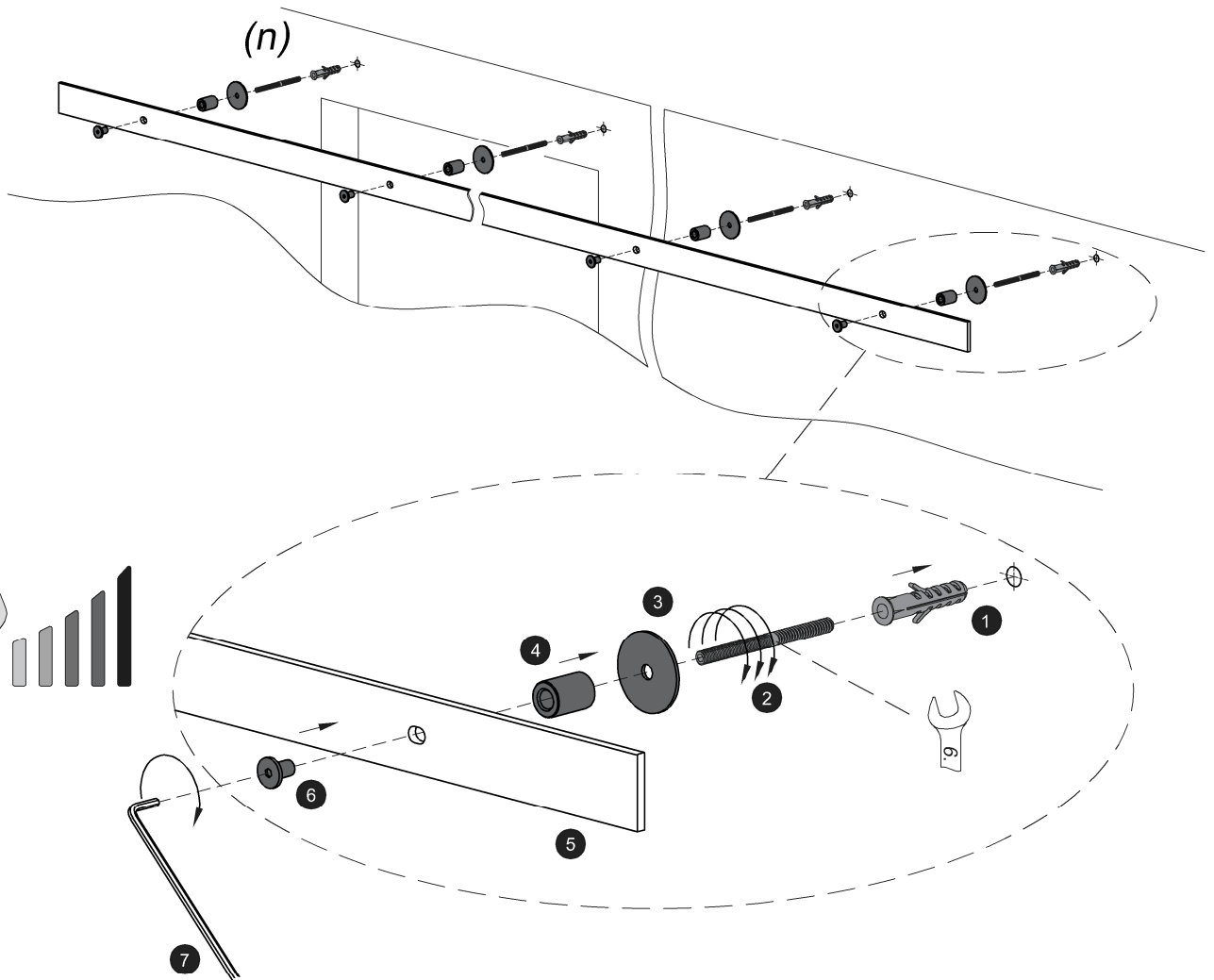
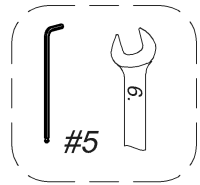
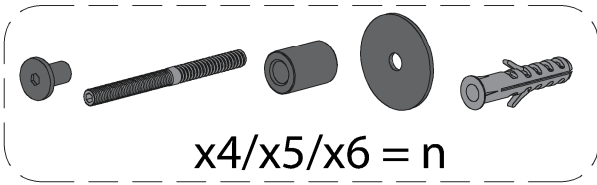
$$\begin{matrix} H_1 = H_0 + 81 \\ H_1 = h + 120 \end{matrix}$$



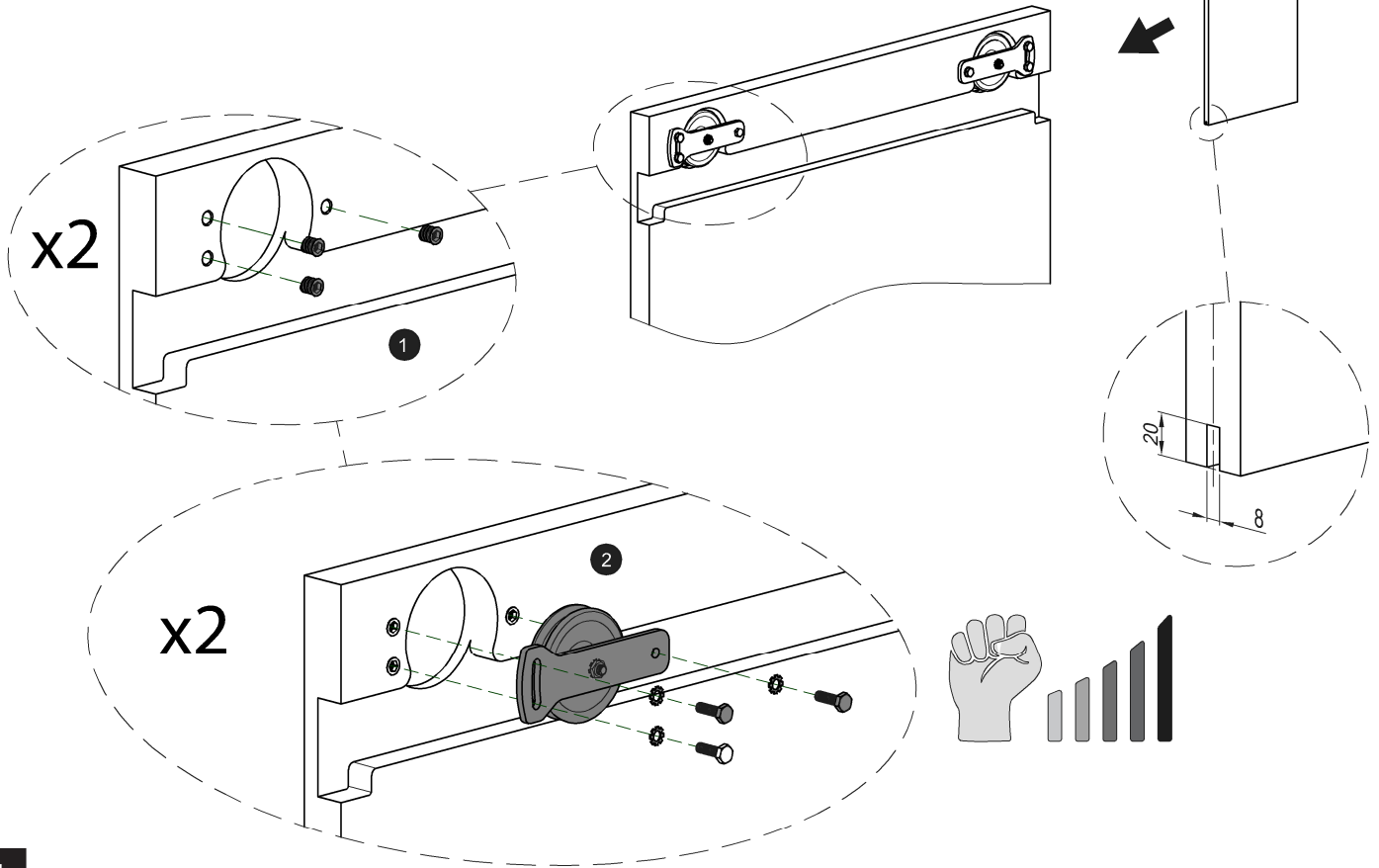
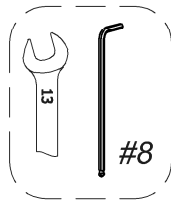
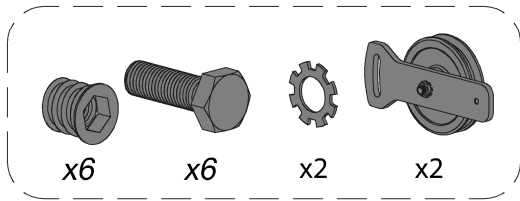
2



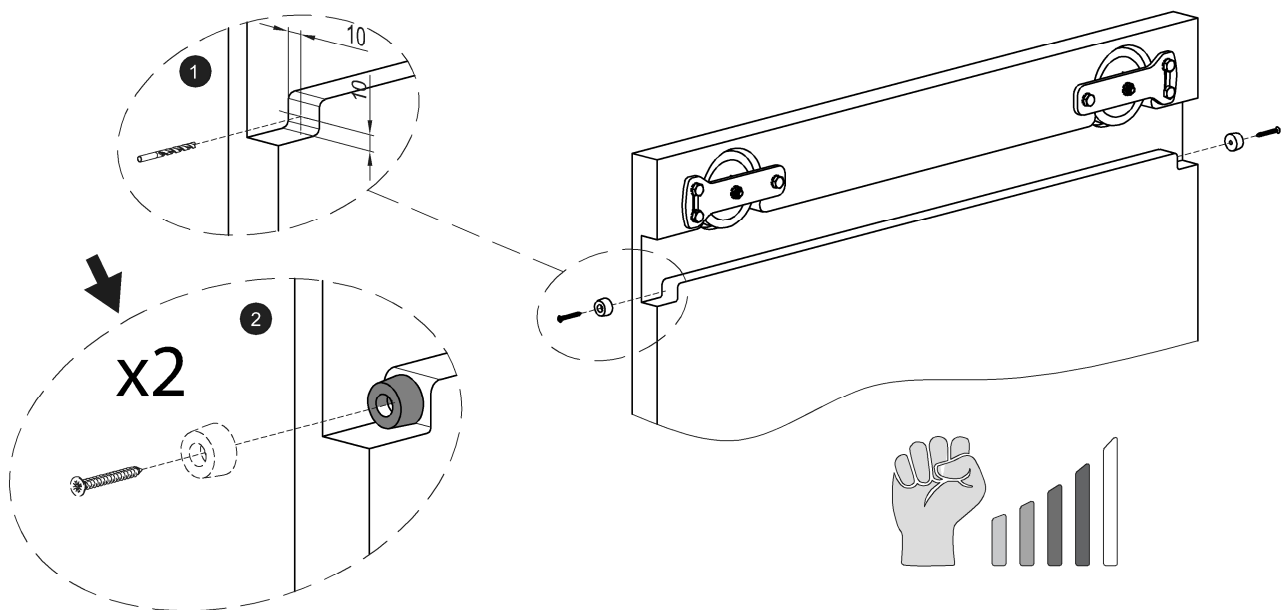
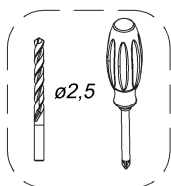
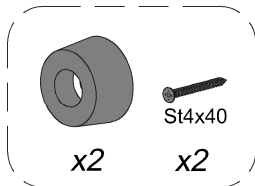
3



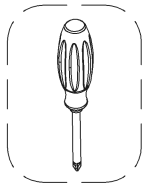
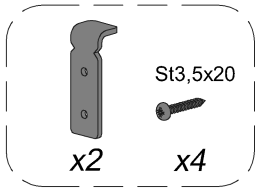
4



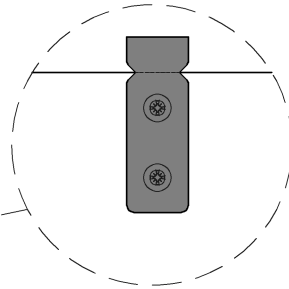
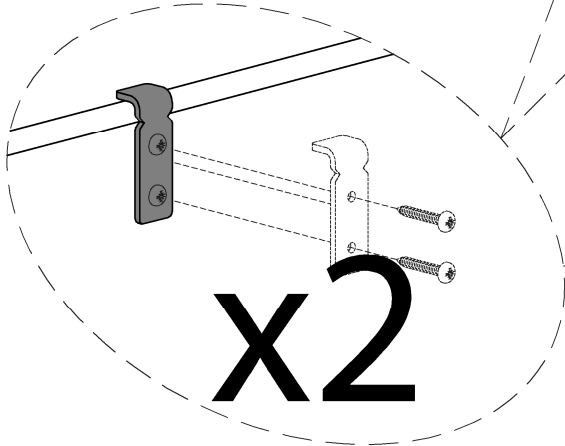
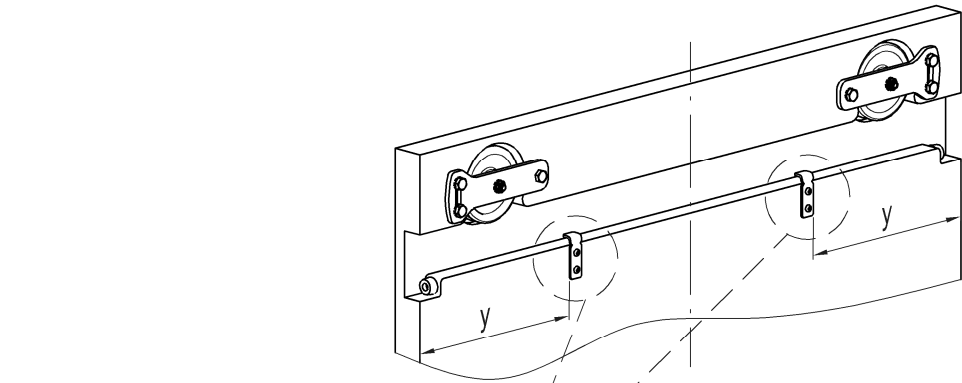
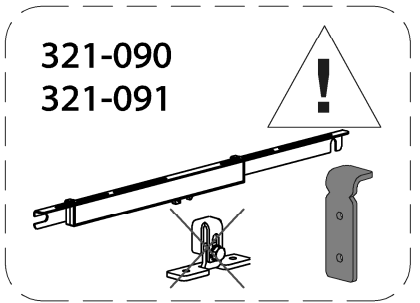
5



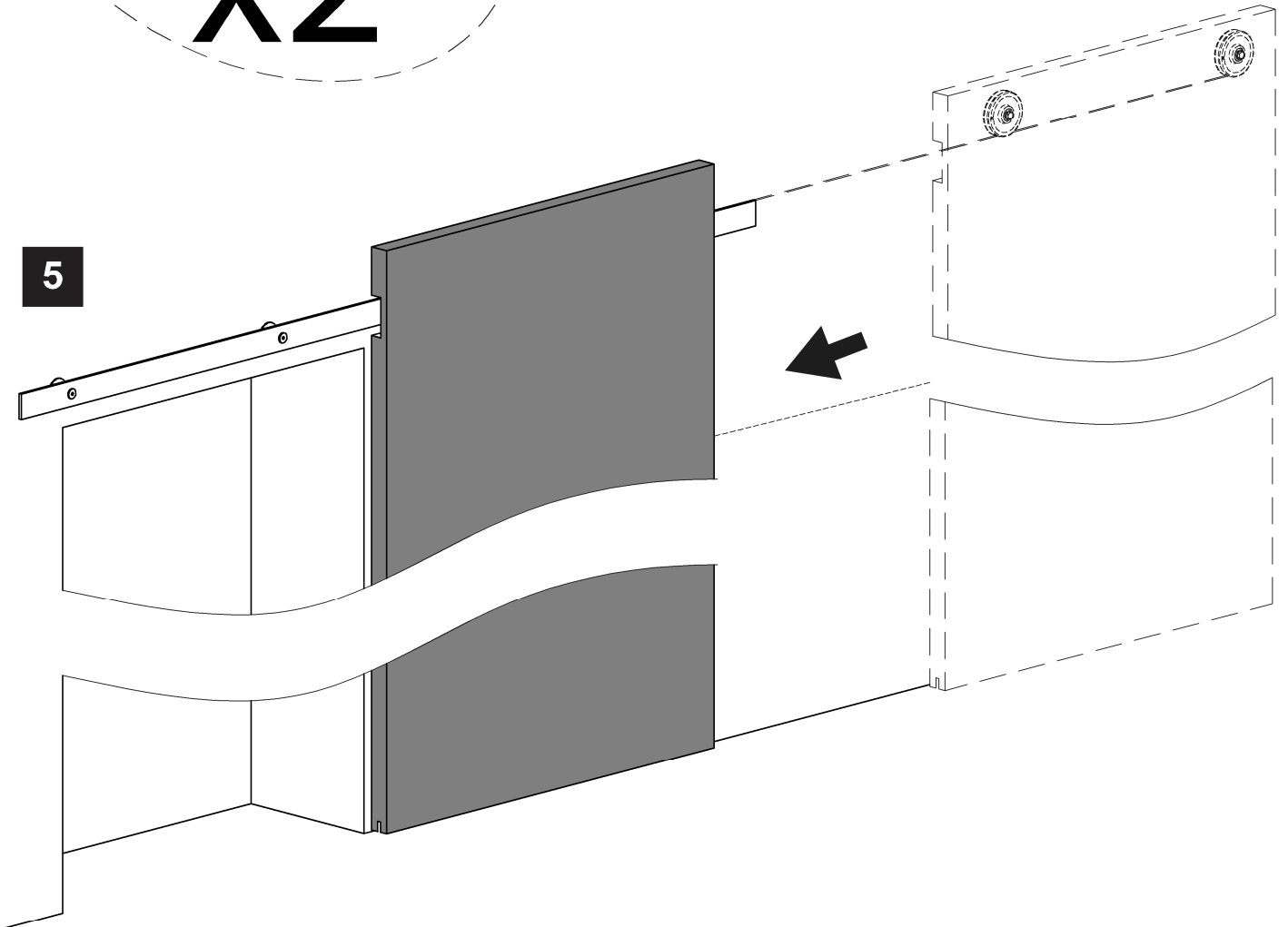
4



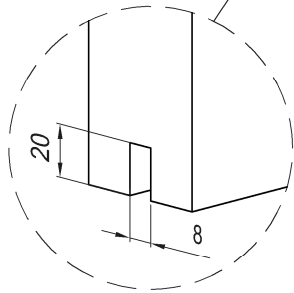
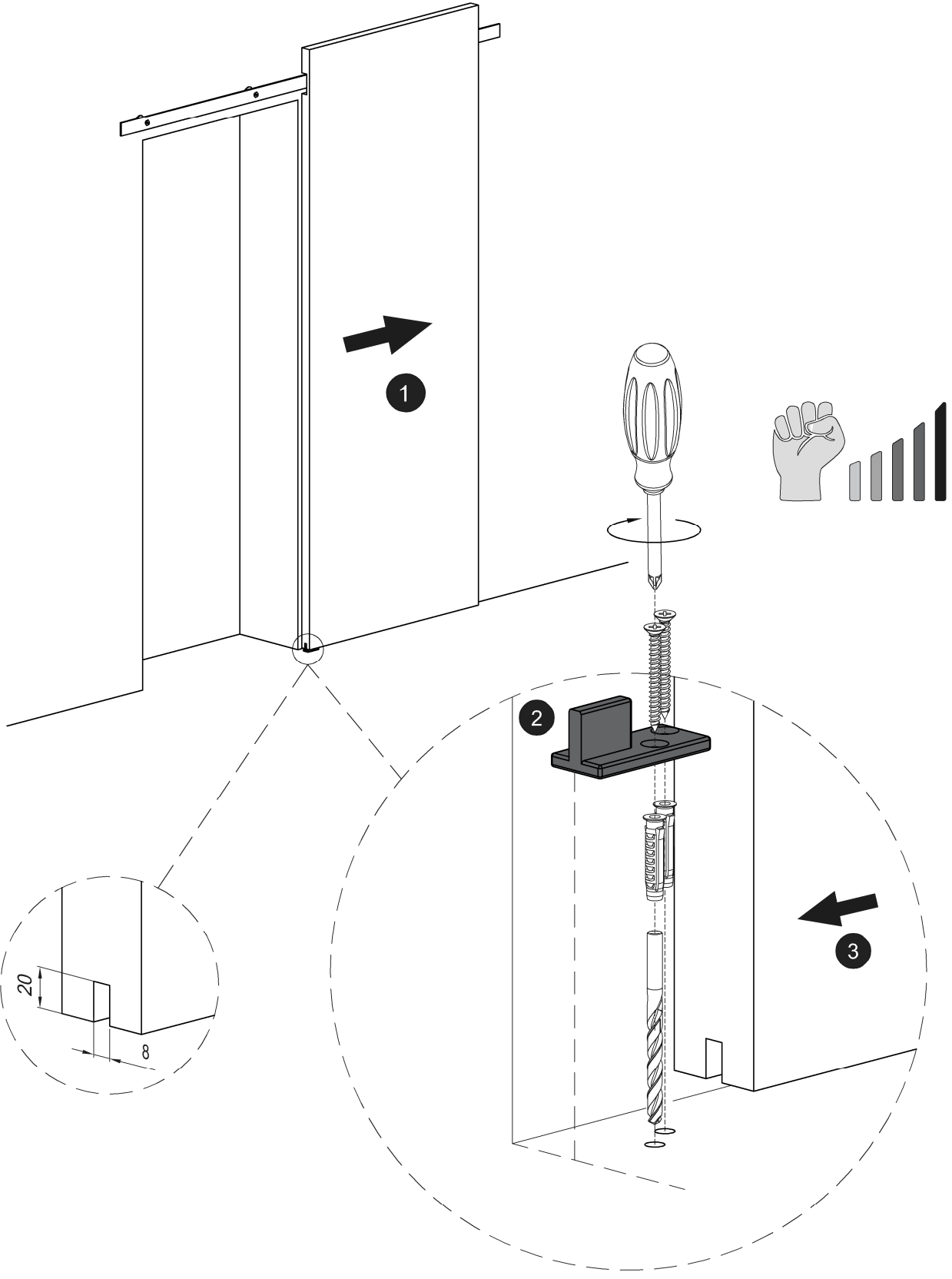
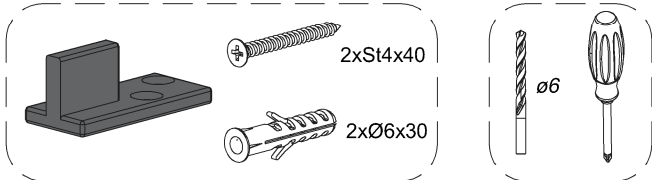
L_{TRACK} [mm]	1950		2400		2990	
d_{DRZWI} [mm]	≤ 870	≥ 870	≤ 1070	≥ 1070	≤ 1370	≥ 1370
y [mm]	240	310	240	310	150	370



5

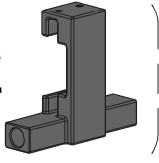


6



7

x2



#2

