

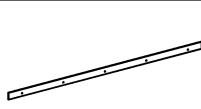


**MANTION POLSKA**

WWW.MANTION.PL

# Magni| ROC DESIGN

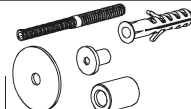
219-326, 219-336, 219-346, 219-356, 219-366



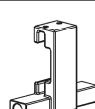
x1



x2



x4/x5/x6



x2



x2



x2



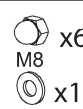
x1



St4x40

Ø6x30

x2



M8

Ø8

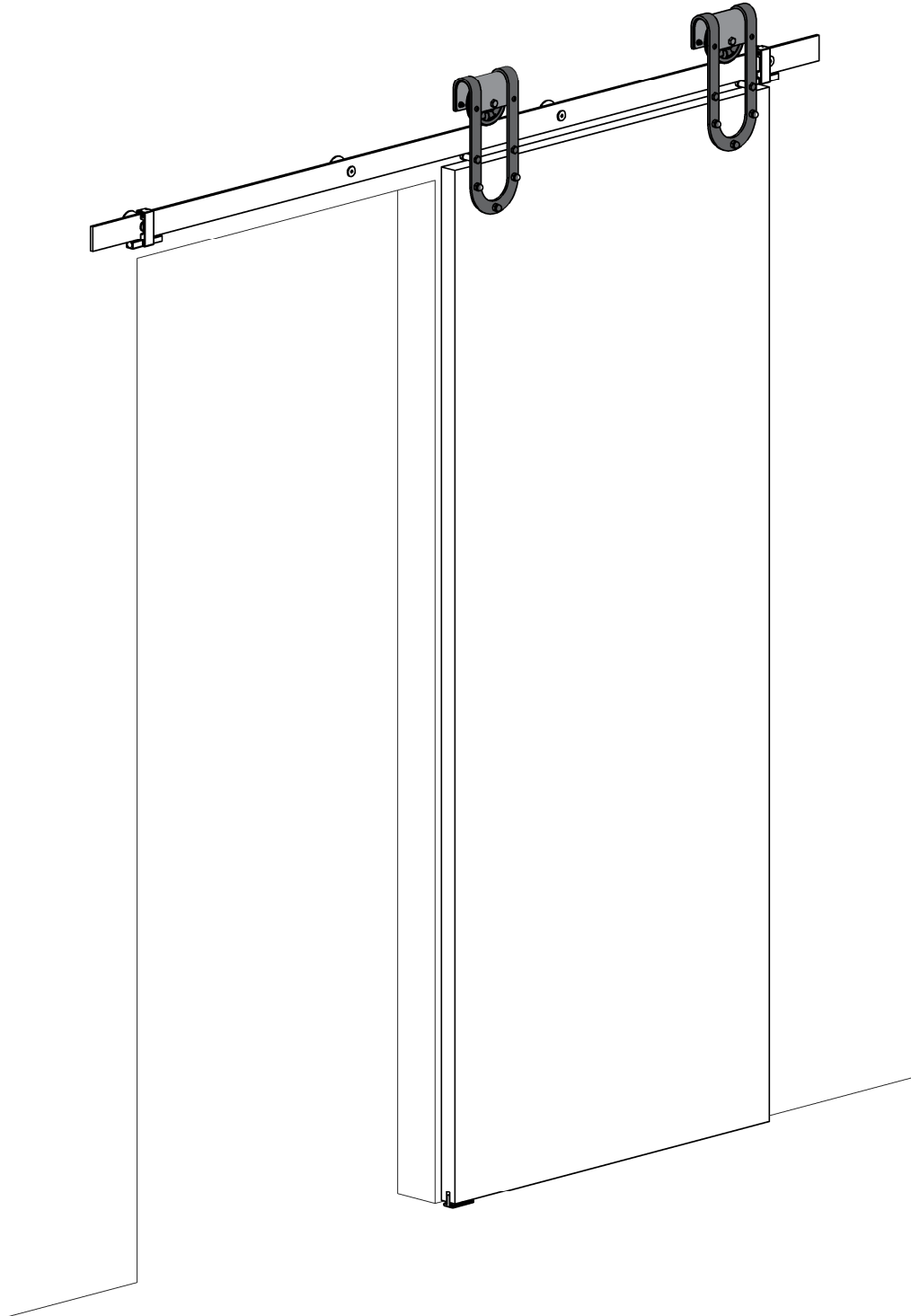
x6

x12



M8x55

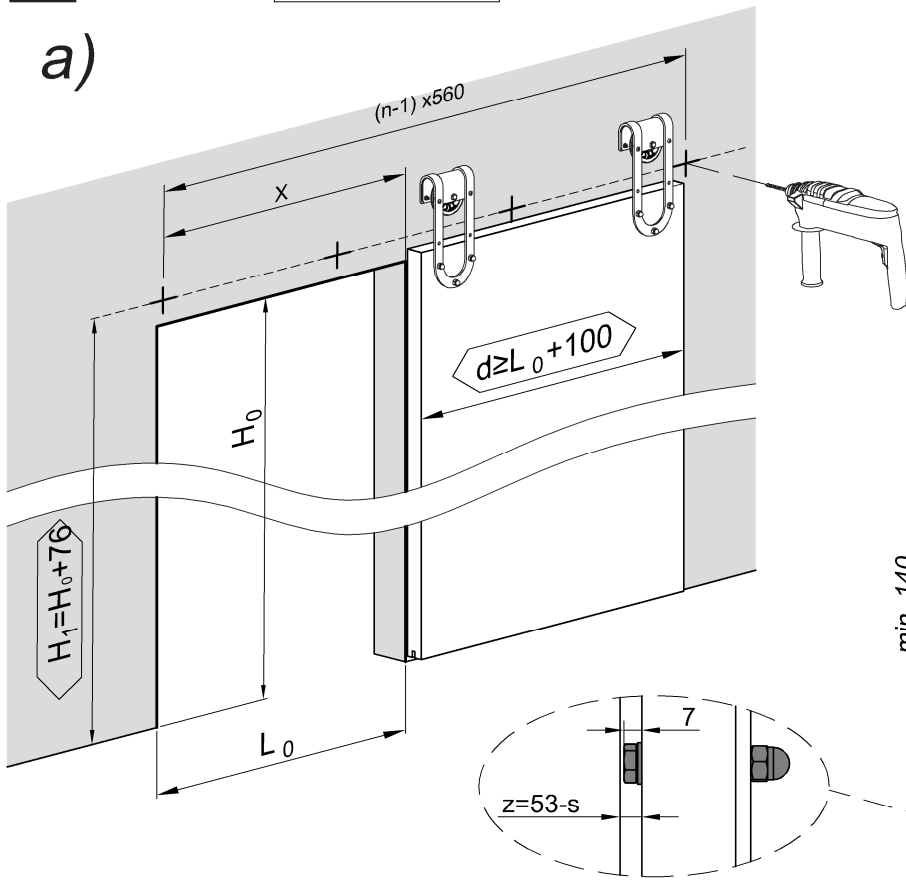
x6



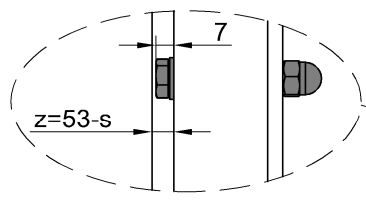
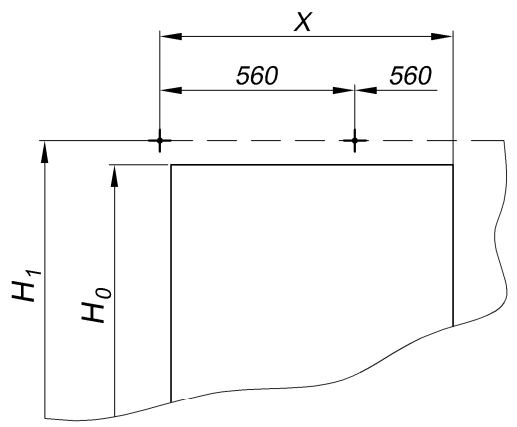
1

$$\begin{matrix} H_0 \\ L_0 \end{matrix} \Rightarrow d \text{ \& \ } H_1$$

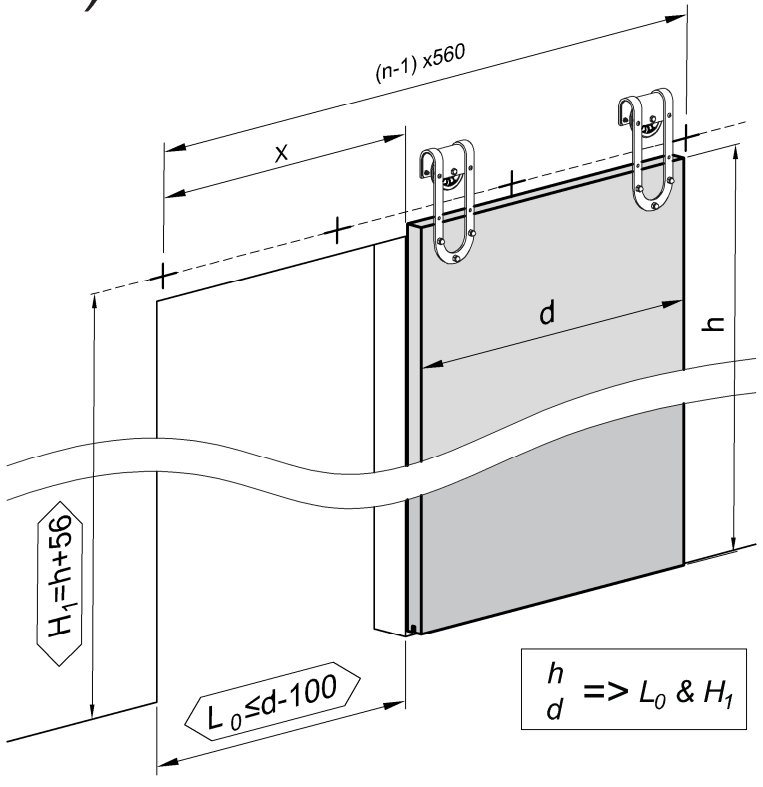
a)



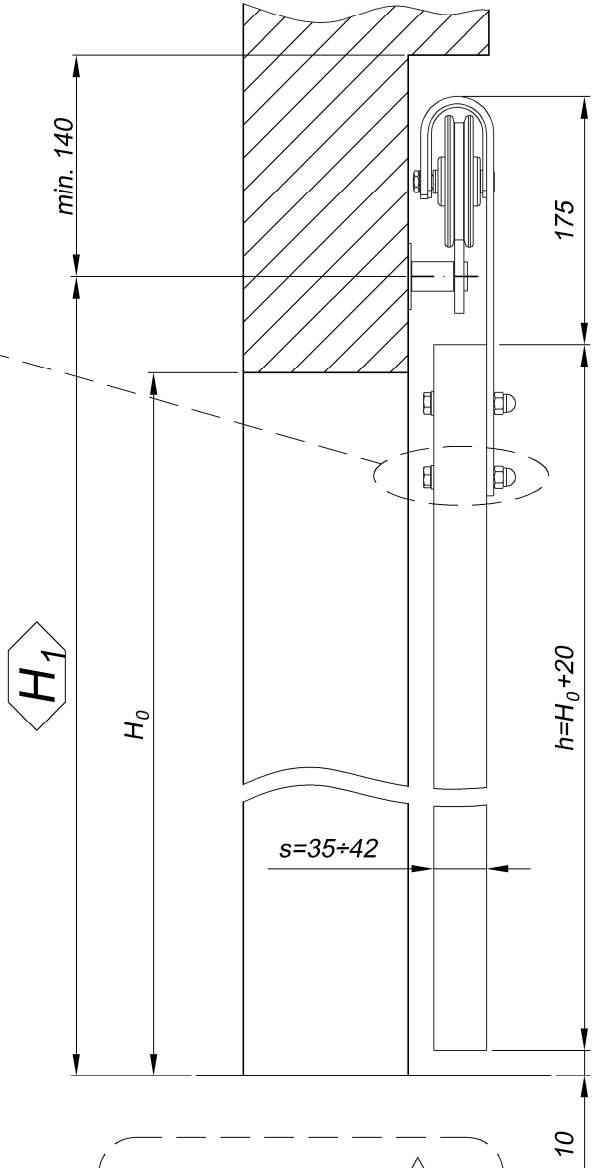
$L_{Track}$ [mm]	1950	2400	3000
X [mm]	840	1120	1400
n [szt]	4	5	6



b)



$$\begin{matrix} h \\ d \end{matrix} \Rightarrow L_0 \text{ \& \ } H_1$$



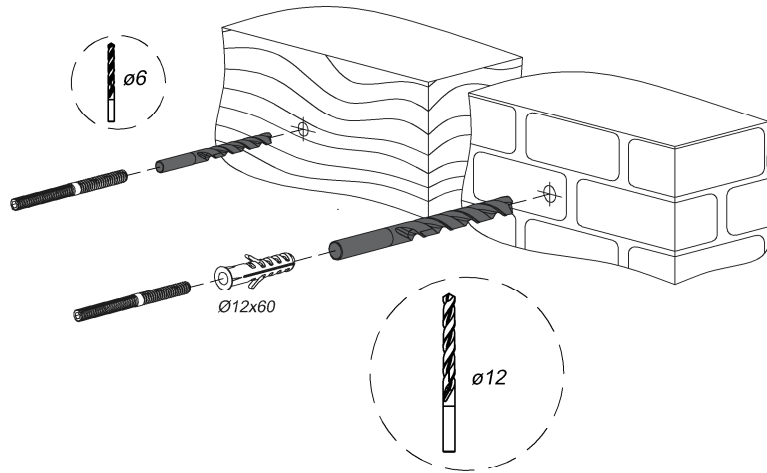
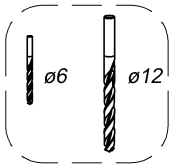
216-110  
216-111

!

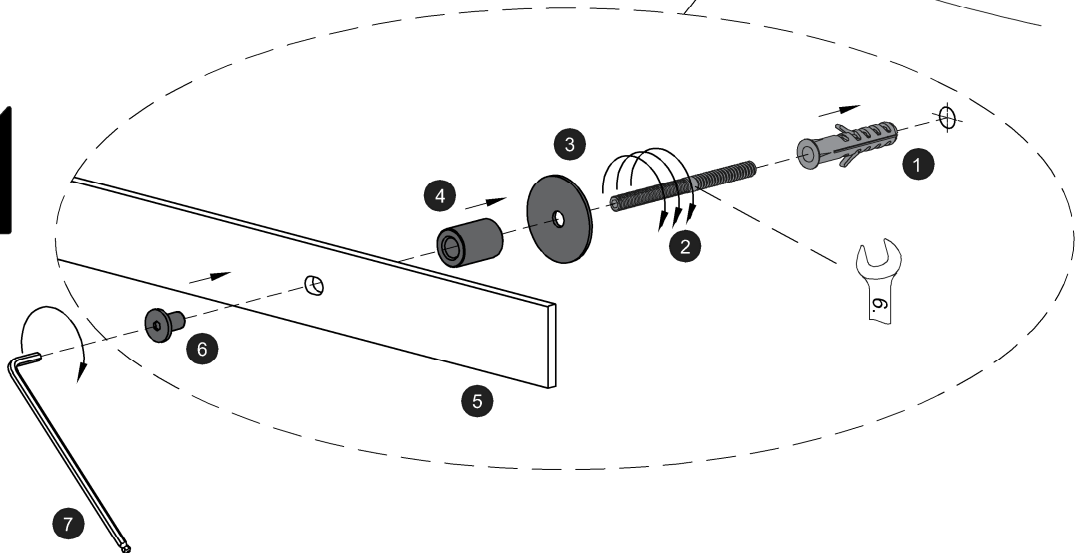
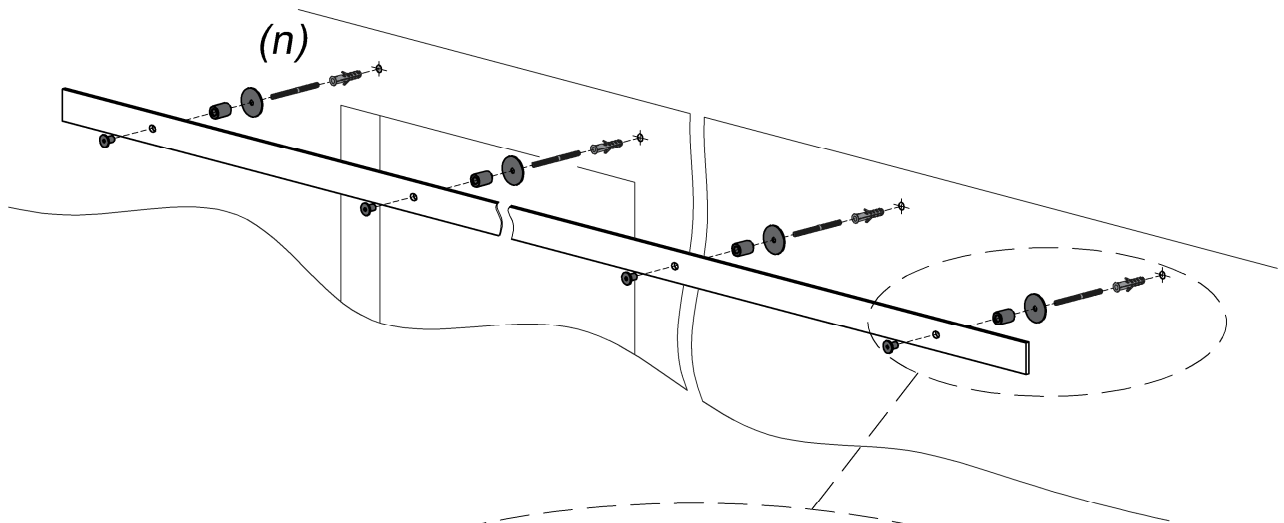
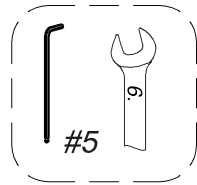
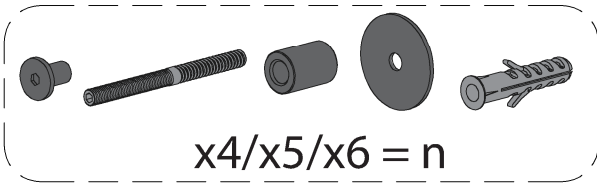
$H_1 = H_0 + 81$   
 $H_1 = h + 61$



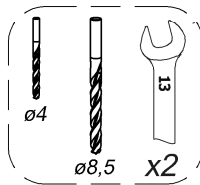
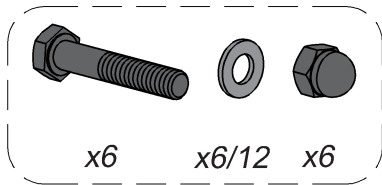
2



3

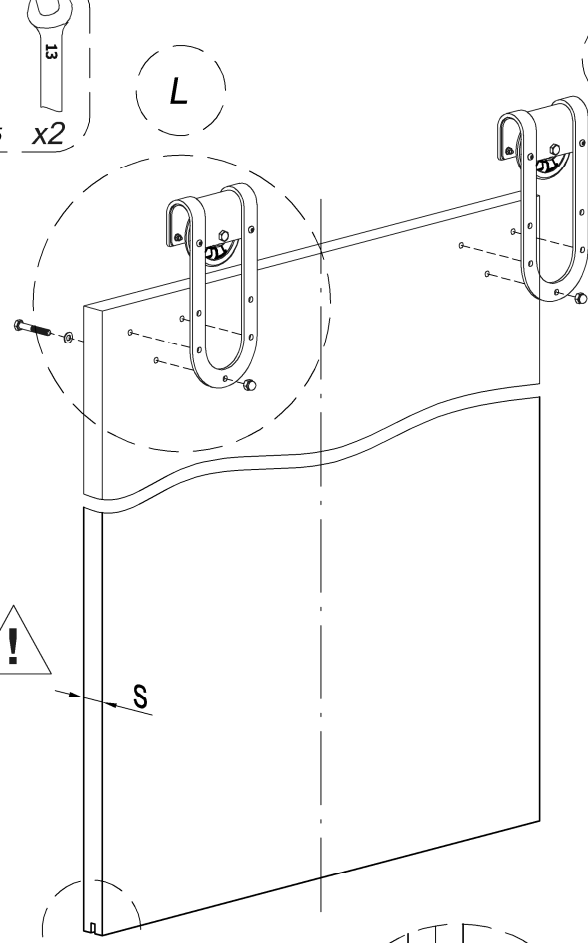


4

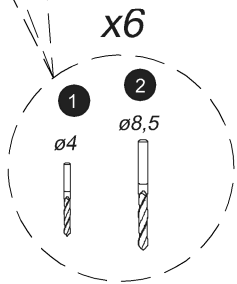
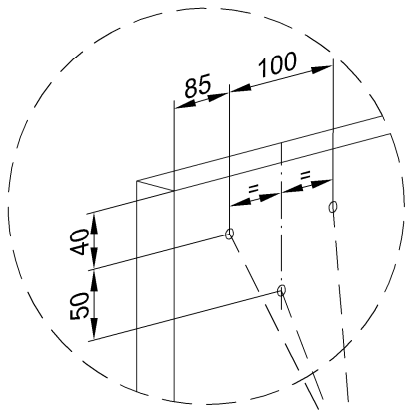


L

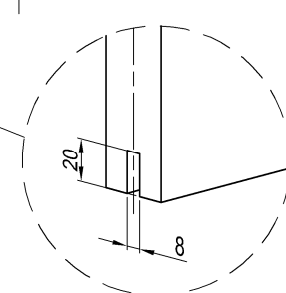
R



4.1



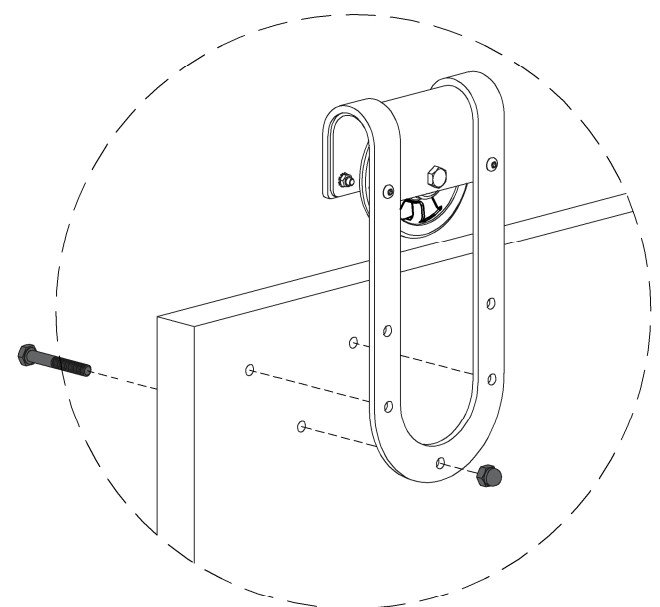
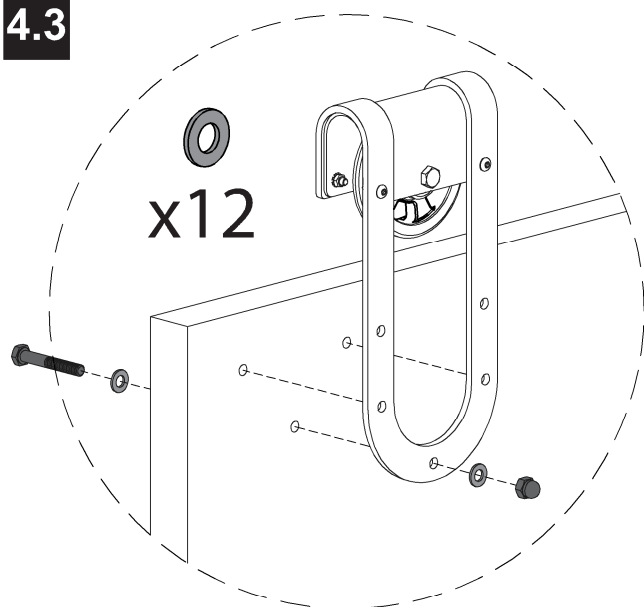
4.2



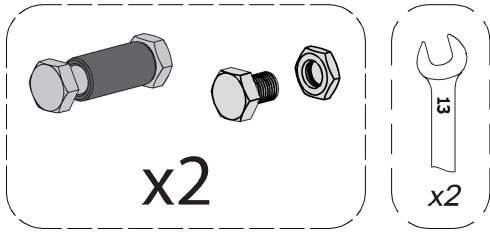
!  $35 < s < 38$

$38 \leq s < 42$

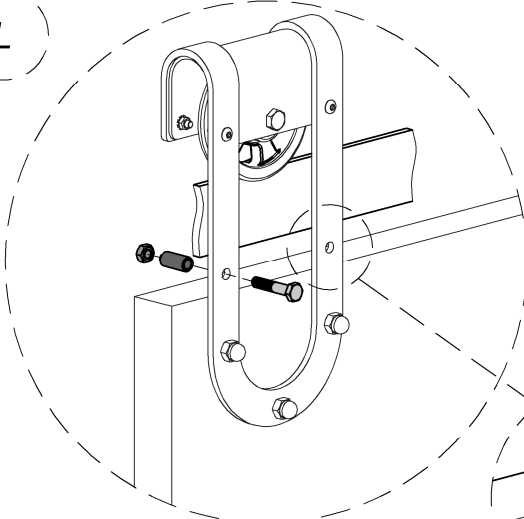
4.3



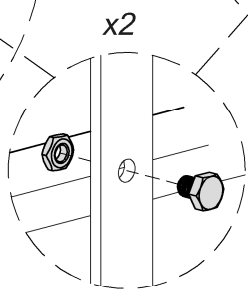
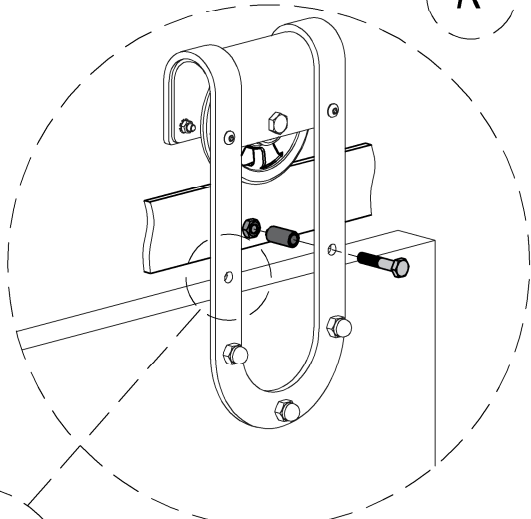
5



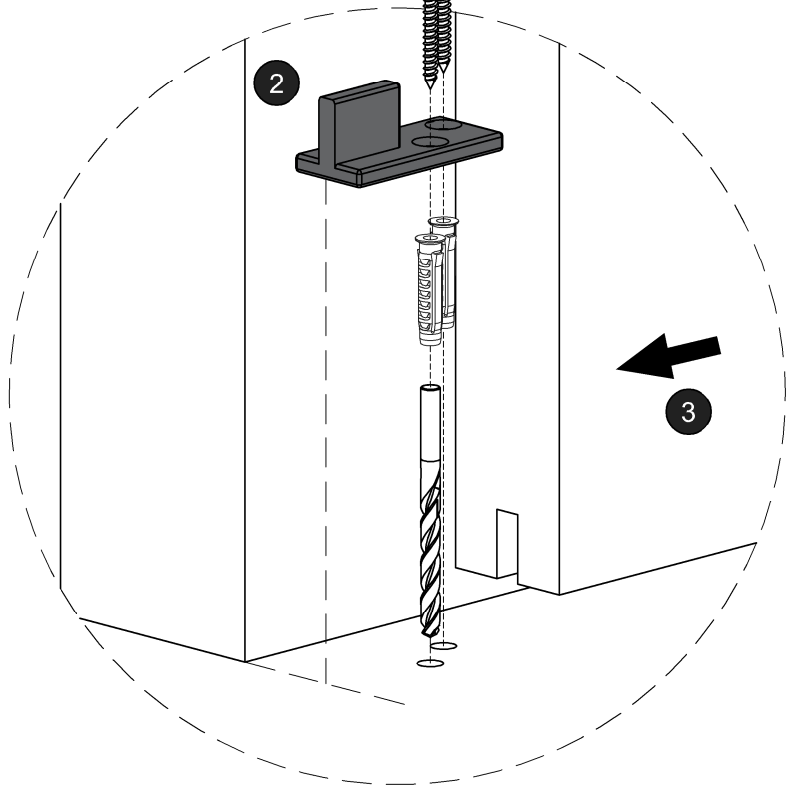
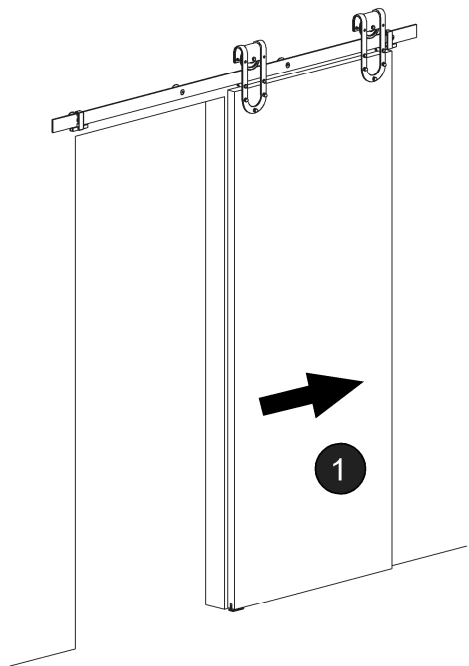
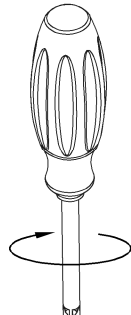
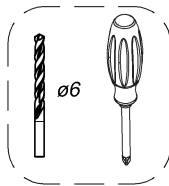
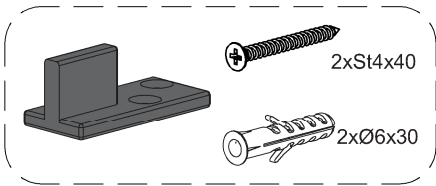
L



R

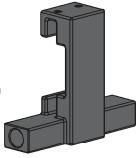


6

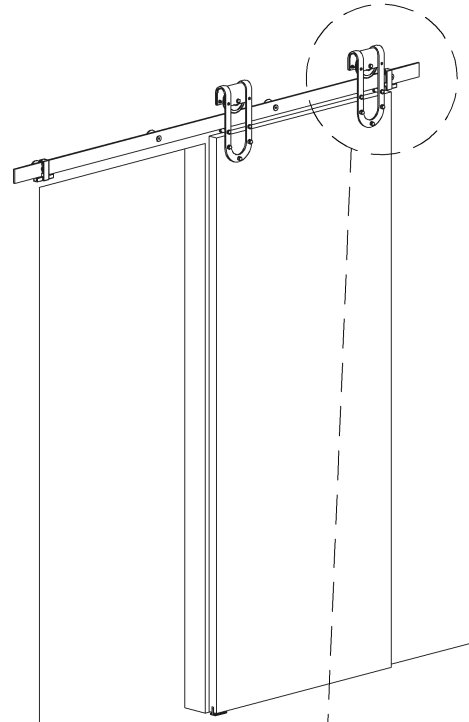
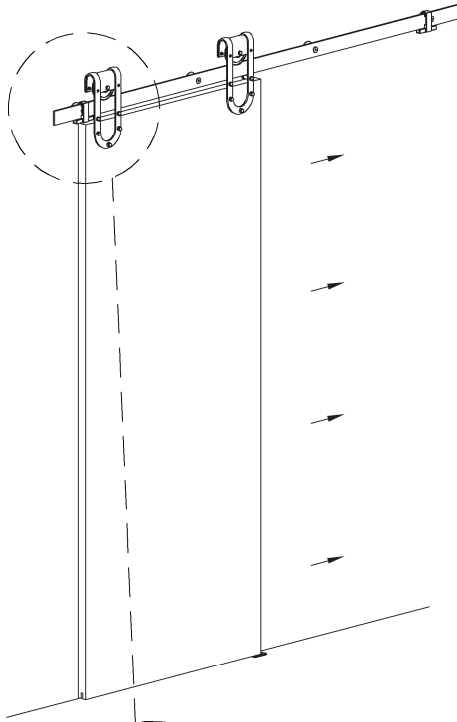
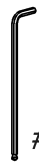


7

x2



#2



7a

7b

