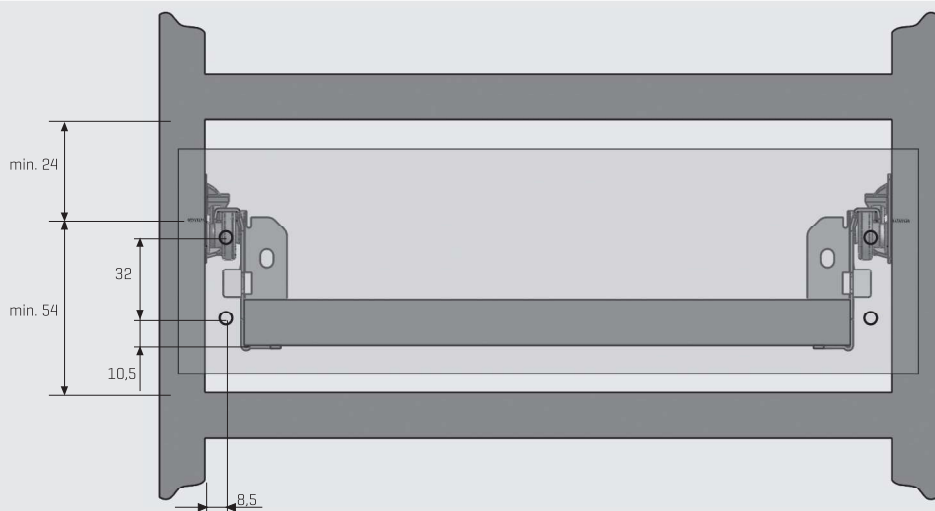
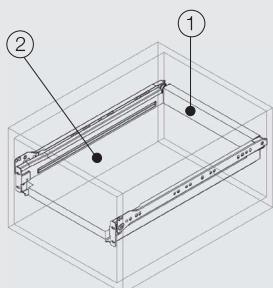


Slide Mounting Dimensions



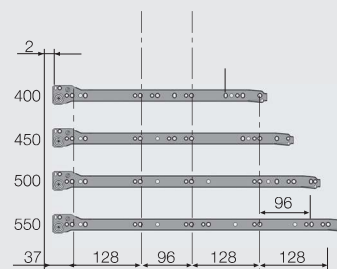
Formulas to Compute Dimensions



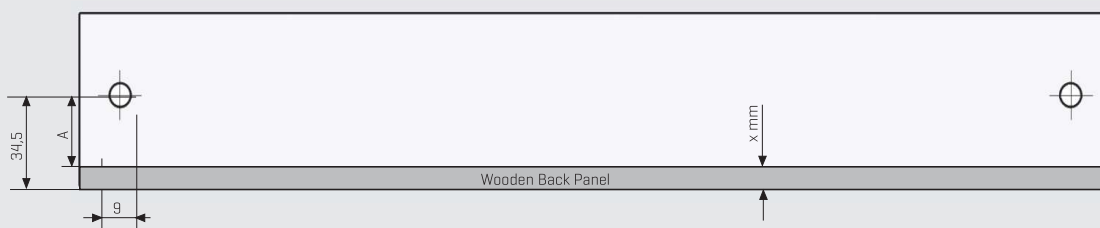
①
 Drawer Back Panel Width = Cabinet Internal Width - 31 mm
 Drawer Back Panel Height = Minimum 39 mm
 (For 16 mm wooden bottom panel.)

②
 Drawer Wooden Floor Width = Cabinet Internal Width - 31 mm
 Drawer Wooden Floor Length = Side Length - 1 mm

Slide Screw Location



Wooden Backboard Application



* $A = 34,5 - x$ mm

*All dimensions in the graphs above are measured in mm

Recommended Screws For Rail Assembly

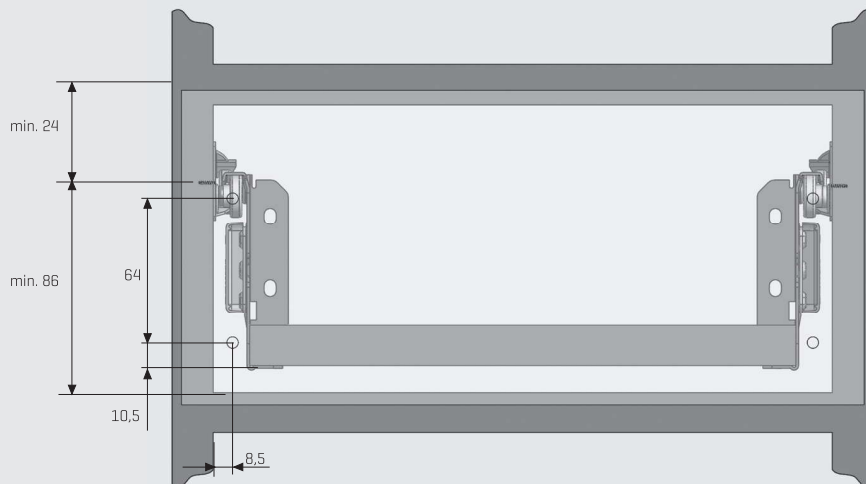
Ø3,5x16 mm Chipboard Screw



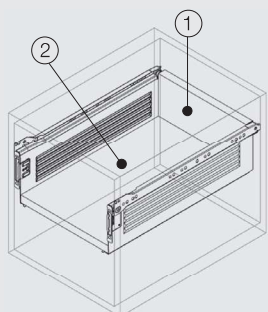
Ø6,1x11,5 mm Euro Screw



Slide Mounting Dimensions

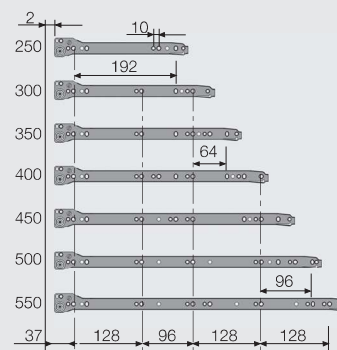


Formulas to Compute Dimensions

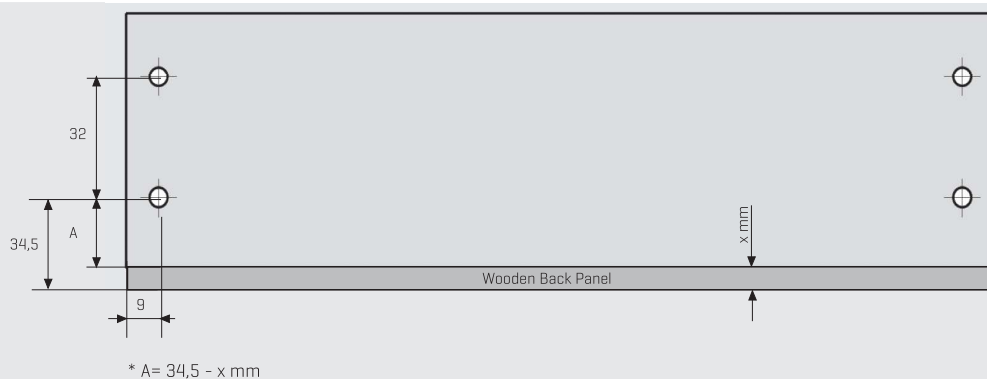


- ①
Drawer Back Panel Width = Cabinet Internal Width - 31mm
Drawer Back Panel Height = Minimum 71 mm
(For 16 mm wooden bottom panel.)
- ②
Drawer Wooden Floor Width = Cabinet Internal Width - 31 mm
Drawer Wooden Floor Length = Side Length - 1 mm

Slide Screw Location



Wooden Back Panel Application



*All dimensions in the graphs above are measured in mm

Recommended Screws For Rail Assembly

Ø3,5x16 mm Chipboard Screw



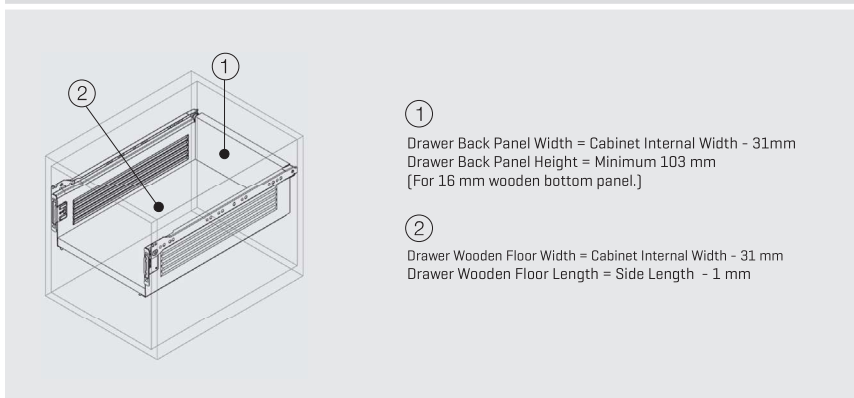
Ø6,1x11,5 mm Euro Screw



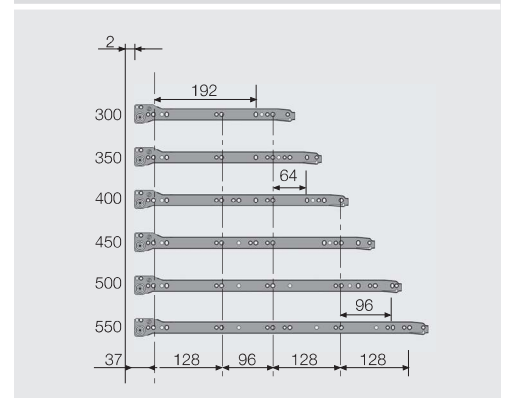
Slide Mounting Dimensions



Formulas to Compute Dimensions



Slide Screw Location



Wooden Back Panel Application



*All dimensions in the graphs above are measured in mm

Recommended Screws For Rail Assembly

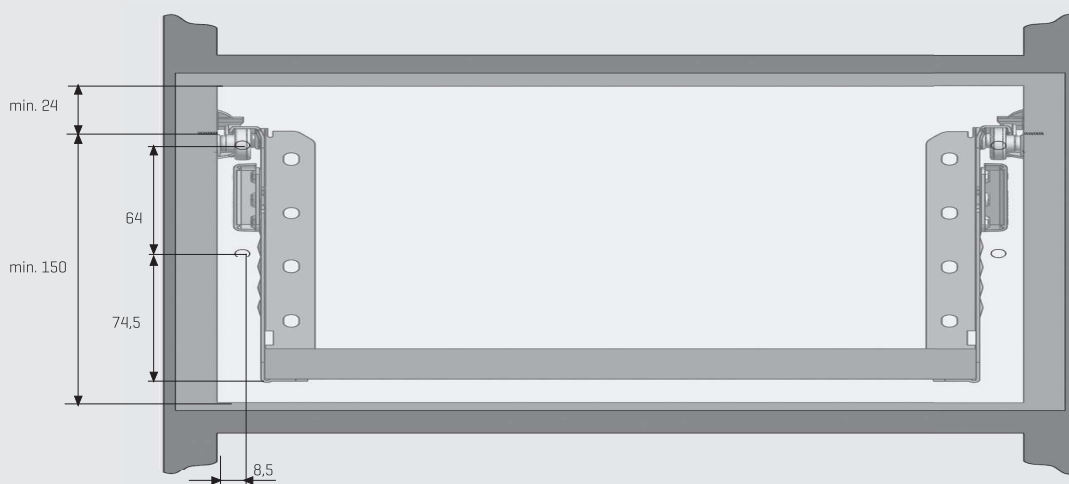
Ø3,5x16 mm Chipboard Screw



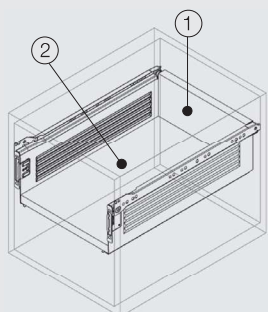
Ø6,1x11,5 mm Euro Screw



Slide Mounting Dimensions

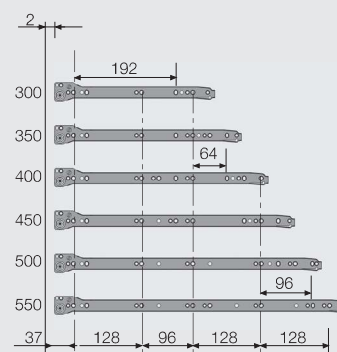


Formulas to Compute Dimensions

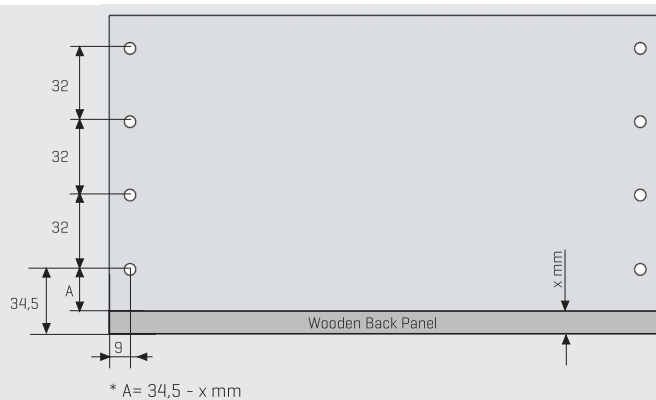


- ①
Drawer Back Panel Width = Cabinet Internal Width - 31mm
Drawer Back Panel Height = Minimum 135 mm
(For 16 mm wooden bottom panel.)
- ②
Drawer Wooden Floor Width = Cabinet Internal Width - 31 mm
Drawer Wooden Floor Length = Side Length - 1 mm

Slide Screw Location



Wooden Back Panel Application



*All dimensions in the graphs above are measured in mm

Recommended Screws For Rail Assembly

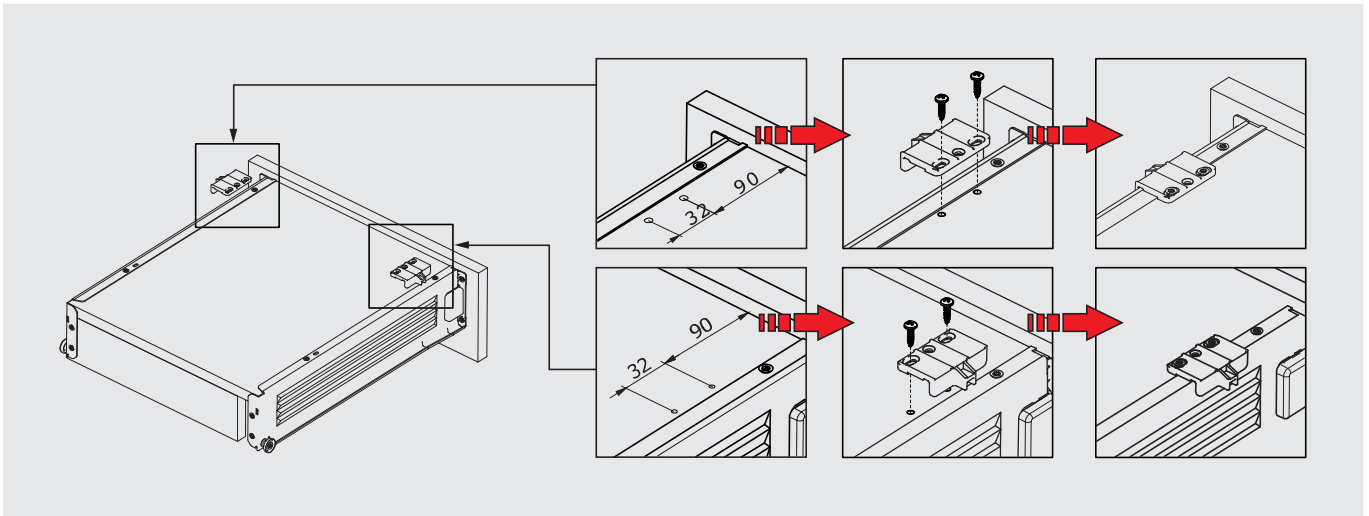
Ø3,5x16 mm Chipboard Screw



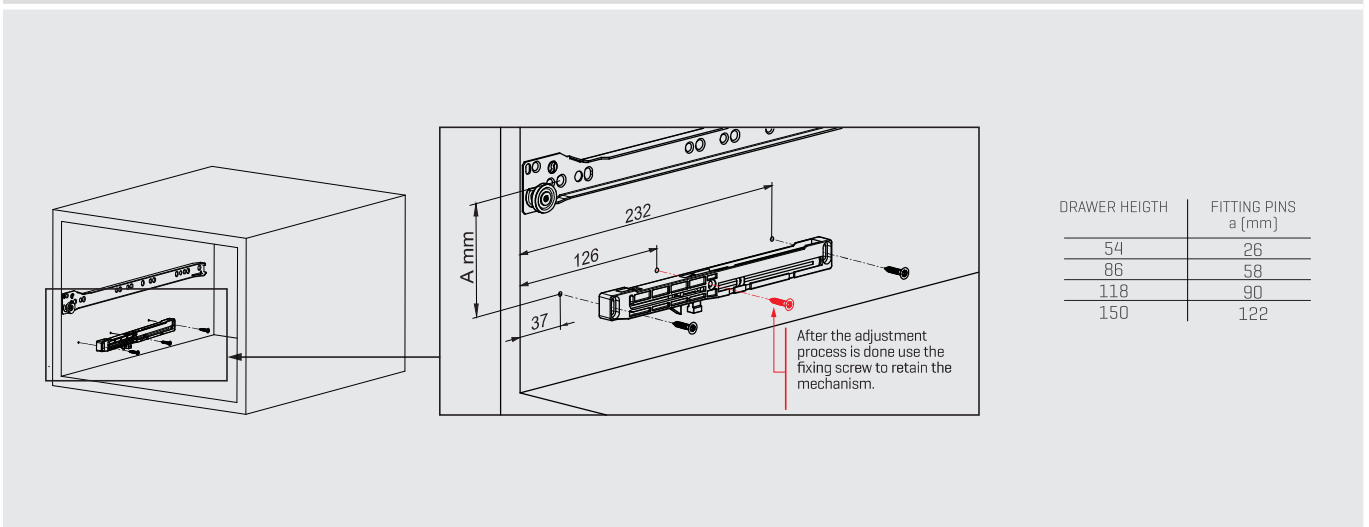
Ø6,1x11,5 mm Euro Screw



Drive Part Assembly



Soft Close Mechanism Assembly



*All dimensions in the graphs above are measured in mm